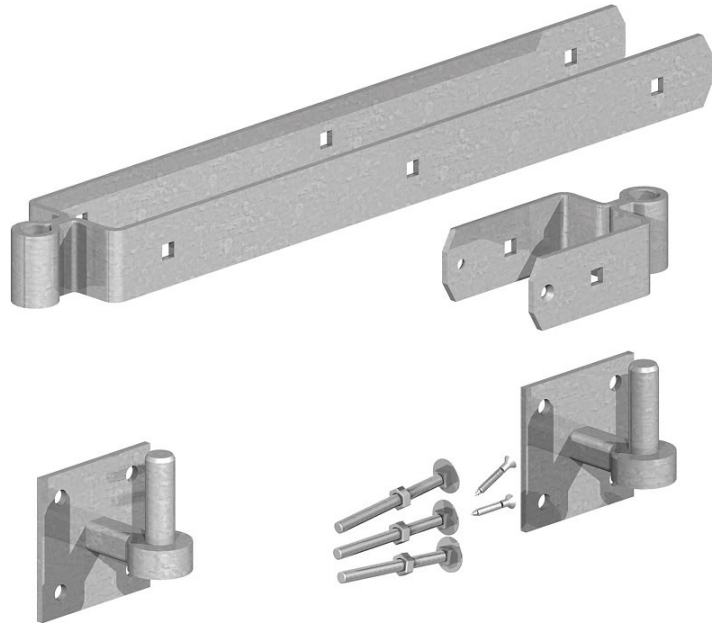


# GATEMATE FIELD GATE DOUBLE STRAP HINGE SET WITH HOOKS ON PLATES



**PRODUCT CODE PREFIX: 031**

## DESCRIPTION

These double strap hinge sets are designed for hanging 3" (75mm) thick wooden field gates and driveway / pedestrian entrance gates. They give excellent support to the gate frame as the top and bottom band sits on both sides of the gate and are bolted through the gate stile and rails. The hooks on plate make the fitting process a very easy operation.

Pre-drill holes in the post to accommodate the coach screw fixings for these. The top hook-on-plate can be mounted upside down to prevent unwanted removal of the gate.

All fixings are supplied with the sets with galvanised finish to further enhance the sets.

### The sets comprise of:

1 x Double strap top band (including cup square hex bolts) 300mm, 450mm or 600mm long. Band material section 6mm x 50mm

1 x Double strap bottom band 125mm long (including cup square hex bolt and wood screws). Band material section 6mm x 50mm

2 x Hook-on-plates 100mm x 100mm with 19mm diameter pin and 8 of M10 x 75mm coach screws

## CONSTRUCTION

Manufactured from mild steel.

**GALVANISED:** Coated in accordance with BS/EN ISO 1461:2009. The average coating thickness is 45 microns. If the product is fitted correctly and the surface finish is not damaged the service life of 15 years can be expected.

**All items are coated in accordance with BS-13438.**

Hinge Loading : page 2

## FINISH

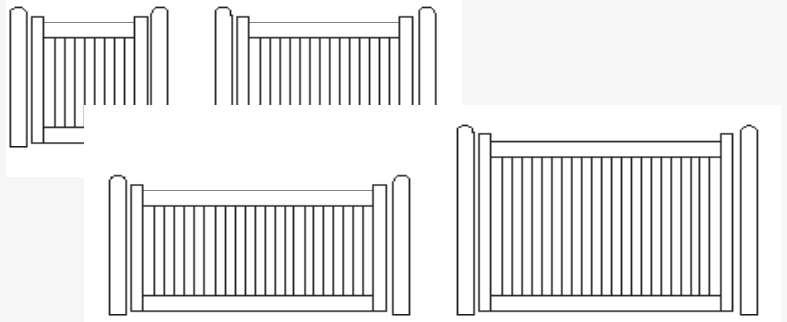
Galvanised

## HINGE LOADING APPLICATION PER PAIR

When selecting hinges for your gate please ensure that you choose ones with the correct loading application.

This is only approximate hinge loading application as none of our hinges are tested.

For heavier gates, an additional hinge can be added.



GATE TYPE	CLASS	WEIGHT	MAXIMUM WIDTH
A	SMALL GATES AND DOORS	UP TO 10KG	900MM
B	MEDIUM GATE	UP TO 20KG	1200MM
C	LARGE GATE	UP TO 50KG	1800MM
D	EXTRA LARGE GATE	UP TO 80KG	2400MM

### GATEMATE® Field Gate Double Strap Hinge Set with Hooks on Plates

FINISH	SIZE INS (MM)	SUITABLE FOR	LOAD APPL.	MIN. ORDER QTY	OUTER CARTON QTY	PALLET QTY	CODE
Galvanised	12 (300)	3" gates	D	1	4	120	<b>031 3001</b>
Galvanised	18 (450)	3" gates	D	1	4	120	<b>031 4501</b>
Galvanised	24 (600)	3" gates	D	1	4	120	<b>031 6001</b>

Includes: 2" x 1/4" top band, 5" x 2" x 1/4" bottom band, 2 x hooks on 4 " square plates and fixings

