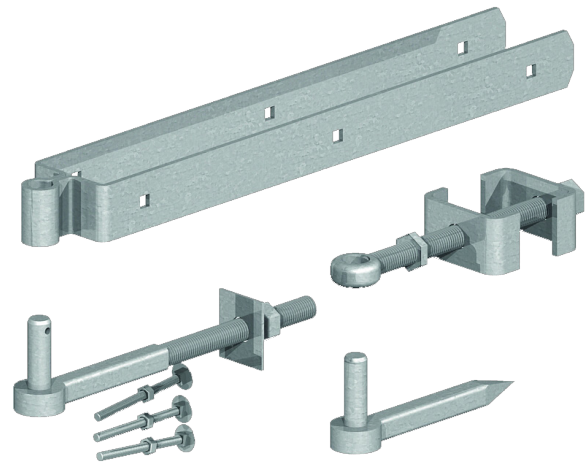


GATEMATE FIELD GATE ADJUSTABLE HINGE SET

PRODUCT CODE PREFIX: 032



DESCRIPTION

These adjustable double strap hinge sets are designed for hanging 3" (75mm) thick wooden field gates and driveway / pedestrian entrance gates. They give excellent support to the gate frame as the top band sits on both sides of the gate and are bolted through the gate stile and top rail. The hook-to-bolt (top) has a drilled pin so that a split pin or bolt can be inserted to prevent unwanted removal of the gate. The adjustable bottom gate fitting enables the gate to be adjusted during and after installation. The hook to drive (bottom) has barbs to prevent the shaft moving in the post during gate operation. All fixings are supplied with the sets and have matching finishes to further enhance the sets. These sets are designed for 75mm thick (3") gates.

The set includes:

1 Double strap band (including fixing bolts) 300mm, 450mm or 600mm long. Band material section 6mm x 50mm

1 Hook-to-bolt 325mm x 19mm diameter pin.

1 Adjustable-bottom-gate-fitting which includes 2 heel clips and a 250mm x 19mm diameter adjustable gate eye with 1 full and 1 half nut.

1 Hook-to-drive 200mm barbed shaft with 19mm diameter pin.

CONSTRUCTION

Manufactured from mild steel.

GALVANISED: Coated in accordance with BS/EN ISO 1461:2009. The average coating thickness is 45 microns. If

the product is fitted correctly and the surface finish is not damaged the service life of 15 years can be expected.

BLACK POLYESTER COATING: Polyester powder coating is a type of coating that is applied as a free-flowing dry powder. The powder is a thermoset polymer, which is used to create a hard finish that is tougher than conventional paint. Powder coating is mainly used for the coating and protection of metals. Polyester Powder Coatings offer durable decorative finishes in a wide range of colours, textures, and gloss levels. They are formulated to provide maximum corrosion resistance, colour stability and gloss retention. They are suitable for interior and exterior use and entirely T.G.I.C free (triglycidyl isocyanate crosslinkers). All items are coated in accordance with BS-13438.

FINISH

Galvanised

Epoxy
Black

GATEMATE[®] Field Gate Adjustable Double Strap Hinge Set

FINISH	SIZE INS (MM)	SUITABLE FOR	LOAD APPL.	MIN. ORDER QTY	OUTER CARTON QTY	PALLET QTY	CODE
Galvanised	12 (300)	3" gates	D	1	4	120	032 3001
Galvanised	18 (450)	3" gates	D	1	4	120	032 4501
Galvanised	24 (600)	3" gates	D	1	4	120	032 6001
Epoxy Black	12 (300)	3" gates	D	1	4	120	032 3003
Epoxy Black	18 (450)	3" gates	D	1	4	120	032 4503
Epoxy Black	24 (600)	3" gates	D	1	4	120	032 6003
Premium Black	24 (600)	3" gates	D	1	4	-	032 600B

Includes: 2" x 1/4" top band, adjustable gate eye and heel clips, hook to bolt, hook to drive and fixings

